

Delivery address: Mackenrodtstraße 14,  
36039 Fulda, Germany  
Postal address: 36035 Fulda, Germany  
Phone: +49 661 6003-0  
Fax: +49 661 6003-607  
E-mail: mail@jumo.net  
Internet: www.jumo.net

JUMO House  
Temple Bank, Riverway  
Harlow, Essex CM 20 2TT, UK  
Phone: +44 1279 635533  
Fax: +44 1279 635262  
E-mail: sales@jumo.co.uk  
Internet: www.jumo.co.uk

885 Fox Chase, Suite 103  
Coatesville PA 19320, USA  
Phone: 610-380-8002  
1-800-554-JUMO  
Fax: 610-380-8009  
E-mail: info@JumoUSA.com  
Internet: www.JumoUSA.com



## Contact Dial Thermometer Transformer Version

- stainless steel case
- Class 1.5
- IP54 protection
- one or two contacts; contact rating 5 or 10 A
- case sizes: 80mm and 100mm dia.

### Brief description

Contact dial thermometers for transformers are universal instruments for local temperature measurement and monitoring.



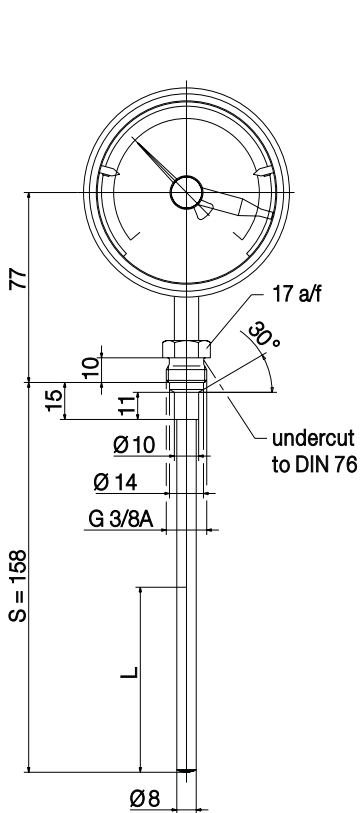
Type 608550/1080

### Technical data

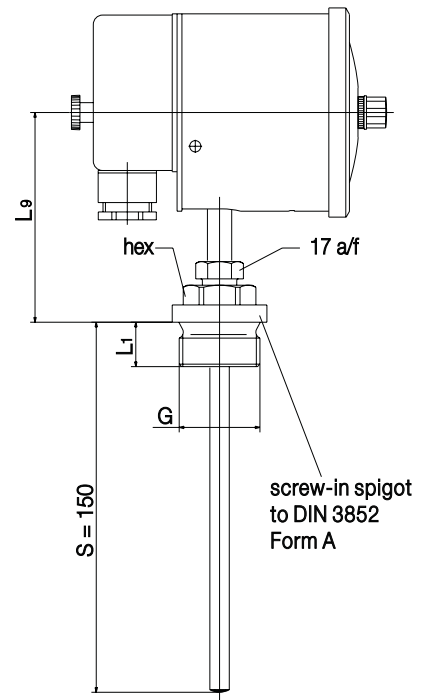
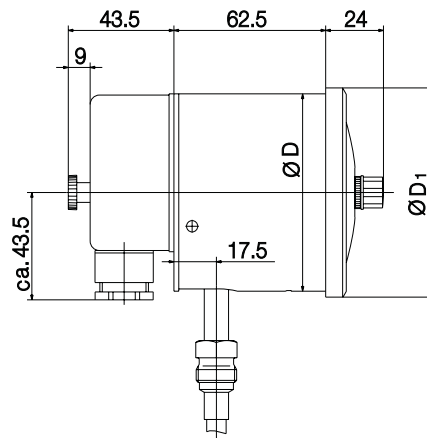
<b>Case</b>	case, bezel ring and protective cover in stainless steel (1.4301)	
<b>Baseplate</b>	aluminium (3.2582.05)	
<b>Protection</b>	IP54 to DIN 60 529	
<b>Window</b>	plexiglass (PMMA)	
<b>Scale</b>	white, black lettering	
<b>Indication</b>	linear, Class 1.5 similar to DIN EN 13190	
<b>Response time</b>	$t_{0.9}$ response approx. 25 sec (measured in agitated water with 8 mm probe dia., brass probe)	
<b>Ambient temperature error effect</b>	in % of indication range (referred to deviation from +23°C reference value) 0.15% of indication range per °C ambient temperature change	
<b>Measuring system</b>	liquid-filled	
<b>Electrical contact</b>	standard	extra code (TZ) 650
	single-pole microswitch with mechanically operated changeover contact	
<b>contact form</b>		
<b>contact rating</b>	230V AC/DC +10/-15%, 48 – 63Hz, p.f. = 1 (0.6)	
<b>switching differential</b>	5 (1.5) A	10 (3) A
	approx. 1.5% of indication range	
<b>switching point accuracy</b>	± 0.5% of range span referred to switch-off point with rising temperature	
<b>switching reliability</b>	To ensure maximum switching reliability, we recommend a minimum voltage of 24 V and a minimum current of 20 mA.	
<b>Electrical connection</b>	screw terminals, for conductor cross-section up to 2.5 mm <sup>2</sup> , protected by cover with cable gland; suitable for cable diameters from 6.5 to 16 mm	
<b>Setpoint adjustment</b>	with screwdriver, protected by screw cap	
<b>Limit temperatures</b>	-30 to +70°C (storage and transport -30 to +70°C)	
<b>Nominal position (NL)</b>	NL90, symbol ⊥	

# Dimensions

Types: 608550/1080  
608550/1010



Process connection TA 21



Process connection TA 22

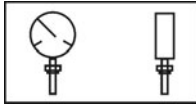


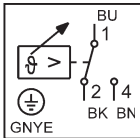
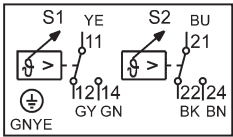
Case dia.	D <sub>1</sub>	L <sub>g</sub>	
		with TA 21	with TA 22
80	85	77	85
100	106	87	95

G	a/f	L <sub>1</sub>
G <sup>1</sup> / <sub>2</sub> A	27	14
G <sup>3</sup> / <sub>4</sub> A	32	16
G1A	27	18

L active probe length	
indication range 0 to +120°C approx. 70 mm	indication range -20 to +120°C approx. 60 mm

# Order details

## Contact dial thermometer, transformer version, type 608550

<b>Order code</b>	<b>(1) Basic type</b>	
608550	Mechanical contact dial thermometer, transformer version, Class 1.5	
	<b>(2) Basic type extensions</b>	
1080	Style: 10; case size: 80 mm dia.	
1010	Style: 10; case size: 100 mm dia.	
	<b>(3) Indication range (AB)</b>	
818	0 to +120°C; range +20 to +100°C, accuracy 3.0°C	
643	-20 to +120°C; range 0 to +100°C, accuracy 3.0°C	
	<b>(4) Process connection (PA)</b>	
403	TA 21; stem with with union nut and conical seal	
351	TA 22; stem with union nut, conical seal and loose nipple	
	<b>(5) Diameter of process connection (PA)</b>	
8	8 mm	
	<b>(6) Type of thread for process connection (PA)</b>	
103	G <sup>3</sup> / <sub>8</sub> thread (only TA 21)	
104	G <sup>1</sup> / <sub>2</sub> thread (only TA 22)	
105	G <sup>3</sup> / <sub>4</sub> thread (only TA 22)	
106	G1 thread (TA 22 only)	
	<b>(7) Material of process connection (PA)</b>	
50	brass	
	<b>(8) Fitting length of process connection (PA) (size S)</b>	
150	150 mm (only TA 22)	
158	158 mm (only TA 21)	
999	special length (on request)	
	<b>(9) Switching output (SA)</b>	
20	one microswitch	
21	two microswitches	
	<b>(10) Extra codes (TZ)</b>	
000	no extra code	
650	microswitch 10(3) A 230 V AC/DC +10/-15%, 48 – 63 Hz, p.f. = 1 (0.6)	
522	scale to customer specification	
434	peak-reading pointer adjustable with screwdriver; protected by screw-on cap	

**special versions on request!**

**Order code**  
**(1)** / **(2)** - **(3)** - **(4)** - **(5)** - **(6)** - **(7)** - **(8)** - **(9)** / **(10)** , ...  
 608550 / .... - ... - ... - .. - ... - .. - ... - .. / ... , ...

**Order example**  
 608550 / 1080 - 818 - 403 - 8 - 103 - 50 - 158 - 20 / 000<sup>1)</sup> , ...

**Note:**

For dial thermometers for transformers, see Data Sheet 60.8005.

For temperature indicators and contact dial thermometers with capillary, see Data Sheets 60.8201 and 60.8520.

<sup>1)</sup> List extra codes in sequence, separated by commas.