

Bourdon Pressure Gauges

63 and 100 mm dia.

General description

Bourdon pressure gauges are used for measuring pressures in liquids and gases which are not highly viscous or crystallise out and which do not attack copper alloys.

Type designation

- 413 Bourdon pressure gauge in steel case 63 mm dia., bottom entry, 1/4" male pipe thread
- 414 Bourdon pressure gauge in steel case 63 mm dia., concentric rear entry, 1/4" male pipe thread
- 417 Bourdon pressure gauge in steel case 100 mm dia., bottom entry, 1/2" male pipe thread

Ordering example

Bourdon pressure gauge
Type 414
Range 0 to 10 bar

Operation

The pressure of the medium acts directly on the Bourdon tube whose free end rotates the pointer through a mechanical linkage.

Technical data

Case
steel, zinc plated

Dial
aluminium, white, black figuring; Type 417 with adjustable red marker pointer

Window
plastic

Mechanism
top plate and moving parts brass, base plate and spacers plastic

Measuring element
Bourdon tube copper alloy

Pressure connection
copper alloy

Type	Thread
413	1/4" pipe, male
414	1/4" pipe, male
417	1/2" pipe, male

Ranges

0 to 1 bar	0 to 10 bar
0 to 1.6 bar	0 to 16 bar
0 to 2.5 bar	0 to 25 bar
0 to 4 bar	0 to 40 bar
0 to 6 bar	

Negative ranges to special order

Loading
to DIN 16 005
steady pressure up to 3/4 full scale
fluctuating pressure up to 2/3 full scale

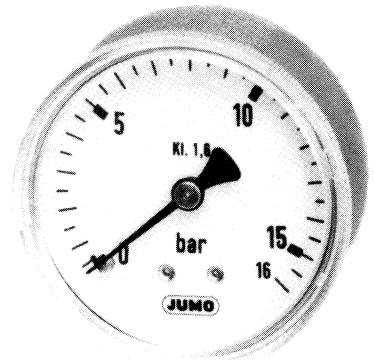
Indication accuracy
Class 1.6 to DIN 16 005

Permitted medium and ambient temperature
+50° C

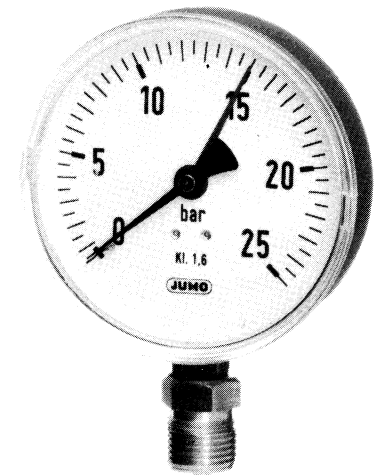
Mounting position
vertical



Typ 413

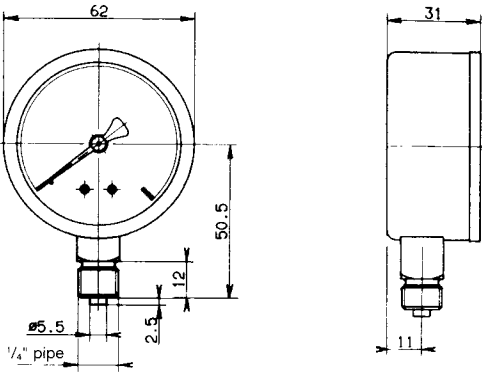


Typ 414



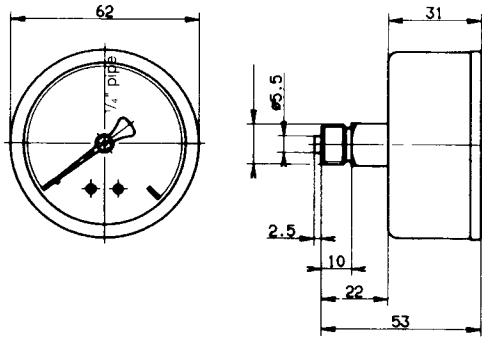
Typ 417

Dimensions

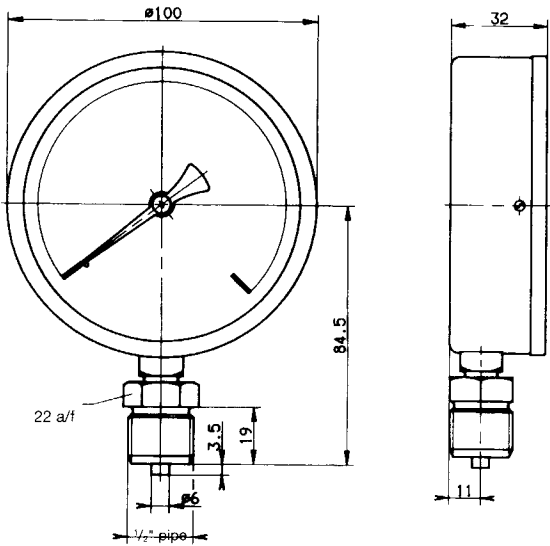


mm	inch
2.5	0.10
3.5	0.14
5.5	0.22
6	0.24
11	0.43
12	0.47
19	0.75
31	1.22
32	1.26
50.5	1.99
62	2.44
84.5	3.33
100	3.94

Type 413



Type 414



Type 417