

Delivery address: Mackenrodtstraße 14,
36039 Fulda, Germany
Postal address: 36035 Fulda, Germany
Phone: +49 661 6003-0
Fax: +49 661 6003-607
E-mail: mail@jumo.net
Internet: www.jumo.net

JUMO House
Temple Bank, Riverway
Harlow, Essex CM 20 2TT, UK
Phone: +44 1279 635533
Fax: +44 1279 635262
E-mail: sales@jumo.co.uk
Internet: www.jumo.co.uk

885 Fox Chase, Suite 103
Coatesville PA 19320, USA
Phone: 610-380-8002
1-800-554-JUMO
Fax: 610-380-8009
E-mail: info@JumoUSA.com
Internet: www.JumoUSA.com



Dial Thermometer Transformer Version

- Temperature indicator with bimetal measuring system
- stainless steel case
- Class 1.5
- Protection IP55
- Case sizes: 80mm and 100mm dia.

Brief description

Dial thermometers, transformer version, are universal instruments for local temperature measurement.

for stock items
see price list



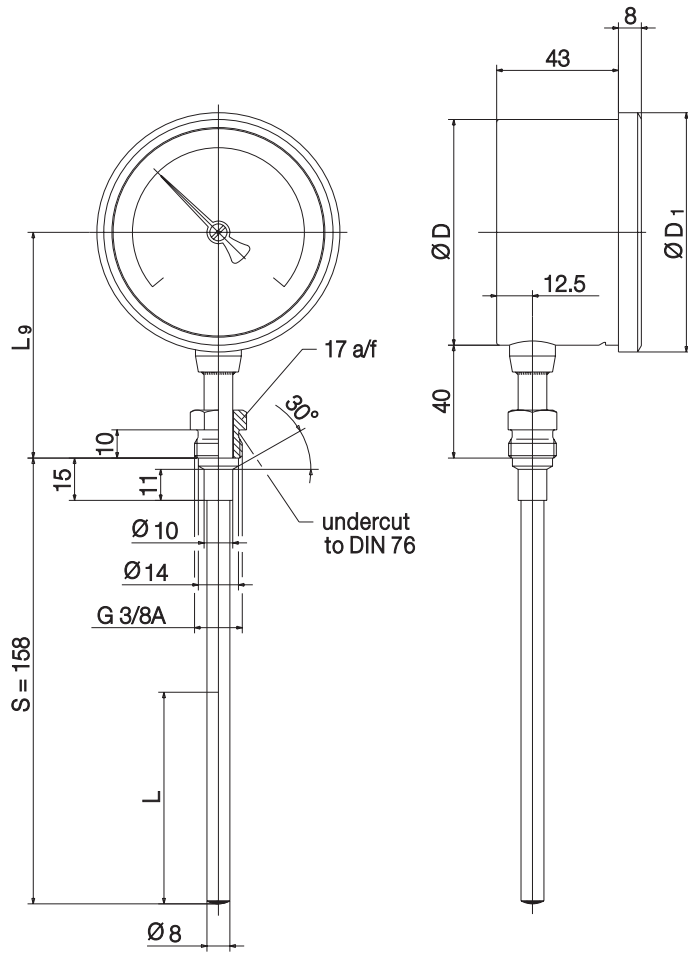
Type 608005/1080

Technical data

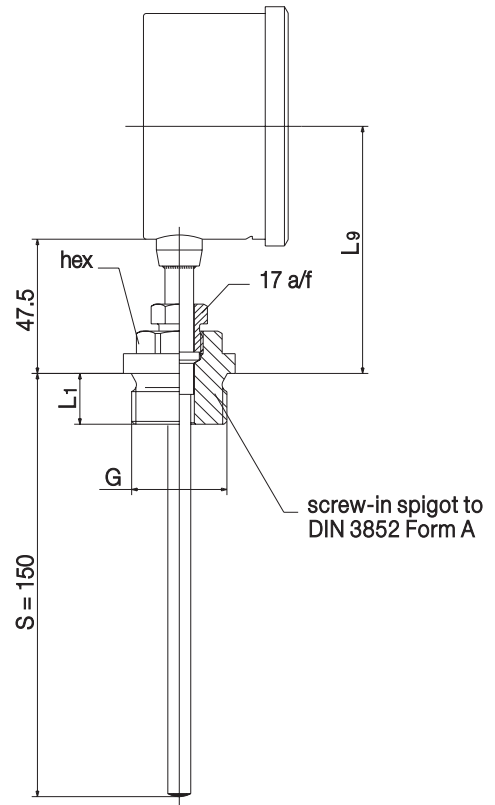
Case	case and bezel stainless steel (1.4301)
Protection	IP55 to DIN 60 529
Window	glass, with code 555: plexiglass (PMMA)
Scale	white, black lettering
Indication	linear, Class 1.5 similar to DIN EN 13190
Response time	$t_{0,9}$ response time approx. 30 sec (measured in agitated water with 8 mm dia. brass probe)
Ambient temperature error effect	no effect
Limit temperatures	-30 to +80°C (storage and transport -30 to +80°C)
Nominal position	NL 90, symbol ⊥

Dimensions

Types: 608005/1080
608005/1010

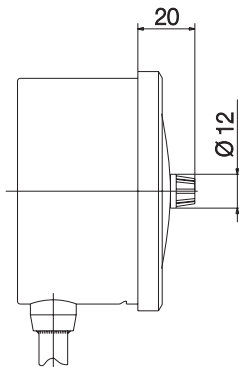


Process connection TA 21

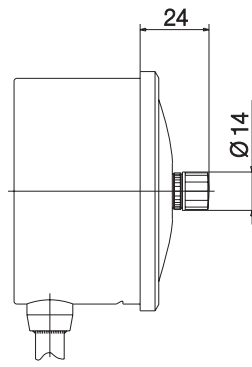


Process connection TA 22

Extra code 430



Extra code 434



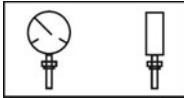

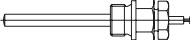
Case dia.	D ₁	L ₉	
		on TA 21	on TA 22
80	85	80	88
100	106	90	98

G	a/f	L ₁
G ¹ / ₂ A	27	14
G ³ / ₄ A	32	16
G1A	27	18

L active probe length	
on range 0 to +120°C = 80 mm	on range -20 to +120°C = 75 mm

Order details

Dial thermometer, transformer version type 608005

	(1) Basic type	
608005	Mechanical dial thermometer, transformer version, Class 1.5	
	(2) Basic type extensions	
1080	Style 10; case size: 80 mm dia.	
1010	Style 10; case size: 100 mm dia.	
	(3) Indication range (AB)	
818	0 to +120°C; range +20 to +100°C, accuracy 3.0°C	
643	-20 to +120°C; range 0 to +100°C, accuracy 3.0°C	
	(4) Process connection (PA)	
403	TA 21; stem with union nut and conical seal	
351	TA 22; stem with union nut, conical seal and loose nipple	
	(5) Diameter of process connection (PA)	
8	8 mm	
	(6) Type of thread for process connection (PA)	
103	G ³ / ₈ thread (only TA 21)	
104	G ¹ / ₂ thread (only TA 22)	
105	G ³ / ₄ thread (only TA 22)	
106	G1 thread (only TA 22)	
	(7) Material of process connection (PA)	
50	brass	
	(8) Fitting length of process connection (PA) (size S)	
150	150 mm (only TA 22)	
158	158 mm (only TA 21)	
999	special length (on request)	
	(9) Extra code (TZ)	
000	no extra code	
430	peak-reading pointer	
555	window plexiglass (PMMA) (only in conjunction with TZ 434)	
522	scale to customer specification	
434	peak-reading pointer adjustable with screwdriver; protected by screw cap	

special versions on request!

Order code

(1) / (2) - (3) - (4) - (5) - (6) - (7) - (8) / (9) , ...
 608005 / - ... - ... - .. - ... - .. - ... / ... , ...

Order example

608005 / 1080 - 818 - 403 - 8 - 103 - 50 - 158 / 000¹⁾ , ...

Note:

For contact dial thermometers for transformers, see Data Sheet 60.8550.

For temperature indicators and contact dial thermometers with capillary, see Data Sheets 60.8201 and 60.8520.

¹⁾ List extra codes in sequence, separated by commas.