

JUMO GmbH & Co. KG
 Delivery address: Mackenrodtstraße 14,
 36039 Fulda, Germany
 Postal address: 36035 Fulda, Germany
 Phone: +49 661 6003-0
 Fax: +49 661 6003-607
 e-mail: mail@jumo.net
 Internet: www.jumo.net

JUMO Instrument Co. Ltd.
 JUMO House
 Temple Bank, Riverway
 Harlow, Essex CM 20 2TT, UK
 Phone: +44 1279 635533
 Fax: +44 1279 635262
 e-mail: sales@jumo.co.uk
 Internet: www.jumo.co.uk

JUMO Process Control, Inc.
 8 Technology Boulevard
 Canastota, NY 13032, USA
 Phone: 315-697-JUMO
 1-800-554-JUMO
 Fax: 315-697-5867
 e-mail: info@jumo.us
 Internet: www.jumo.us



JUMO Room thermostats Type AMRc

Brief description

Type AMRc room thermostats are used in HVAC, in industrial and commercial premises, garden centers and stables for the control of heating /cooling, air-conditioning and ventilation systems.

Room thermostats in the AMRc series operate on the principle of liquid expansion. A temperature change in the liquid-filled sensing system, which consists of probe, capillary and diaphragm, produces a volume change. The resulting movement of the diaphragm operates a microswitch through a lever mechanism.

Switching action

TR and TW

If the temperature at the probe exceeds the set limit, the circuit is opened through a snap-action switch. If the temperature falls below the set limit (by the switching differential), the switch returns to its initial position.

Types

AMRc-1 temperature controller TR
switching point externally adjustable

AMRc-2 temperature monitor TW
switching point adjustable after removing case cover



AMRc-1



AMRc-2

Technical data

Electrical data

Switching element	1-pole microswitch with changeover contact
Max. contact rating	10 (2) A, 230 V AC +10%, p.f. = 1 (0.6) 0.25 A, 230 V DC +10%, max. permissible starting current: break contact: 16 A make contact: 10 A
Electrical connection	via terminal strip, after removal of case cover

Operating data

Control ranges	0 to +50°C or -10 to +40°C
Switching point accuracy	±0.75°C at +20°C
Switching differential	1 – 2°C
Permissible ambient temp.	in operation: -20 to +60°C
Permissible storage temp.	-50 to +50°C
Nominal position (NL)	to DIN 16 257, NL 0 – NL 90 (other NL on request)

Case

Case	plastic case in impact-resistant polycarbonate color: cover pebble gray – RAL 7032, base anthracite gray – RAL 7016
Case fixing	by 2 screws on inside of case
Cable entry	as standard: clamping gland M 20 x 1.5, for 8 – 10 mm cable diameter
Protection	EN 60 529-IP54
Temperature probe	coiled probe, tinned copper
Weight	approx. 0.32 kg

JUMO GmbH & Co. KG
 Delivery address: Mackenrodtstraße 14,
 36039 Fulda, Germany
 Postal address: 36035 Fulda, Germany
 Phone: +49 661 6003-0
 Fax: +49 661 6003-607
 e-mail: mail@jumo.net
 Internet: www.jumo.net

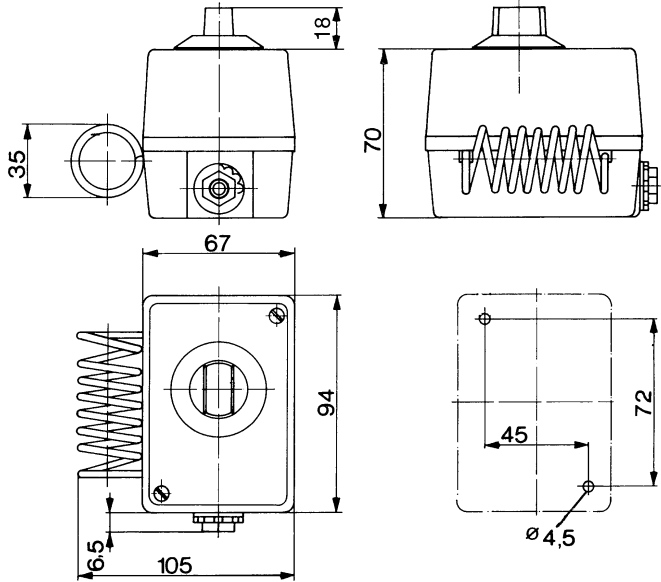
JUMO Instrument Co. Ltd.
 JUMO House
 Temple Bank, Riverway
 Harlow, Essex CM 20 2TT, UK
 Phone: +44 1279 635533
 Fax: +44 1279 635262
 e-mail: sales@jumo.co.uk
 Internet: www.jumo.co.uk

JUMO Process Control, Inc.
 8 Technology Boulevard
 Canastota, NY 13032, USA
 Phone: 315-697-JUMO
 1-800-554-JUMO
 Fax: 315-697-5867
 e-mail: info@jumo.us
 Internet: www.jumo.us

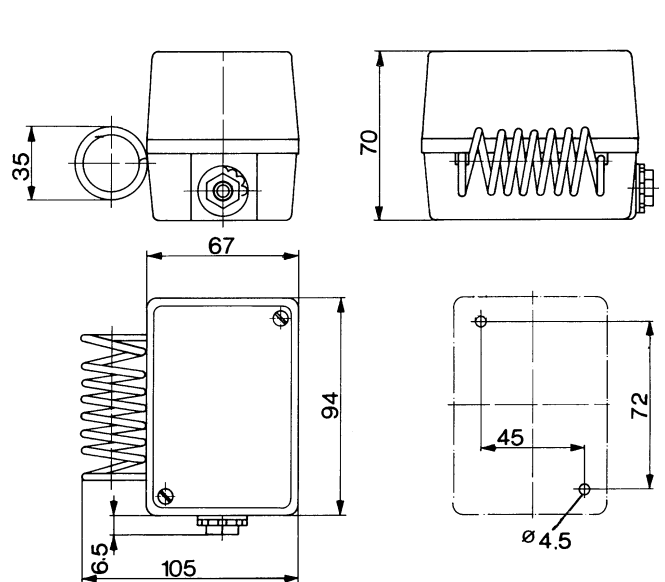


Dimensions

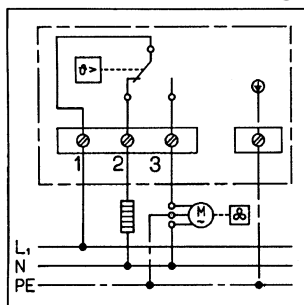
AMRc-1



AMRc-2



Connection diagram



Order details

AMRc series

Order code	(1) Basic type
604041	room thermostat Typ AMRc
(2) Basic type extension	
01	AMRc-1 temperature controller (TR), switching point externally adjustable with rotary knob
02	AMRc-2 temperature monitor (TW), switching point adjustable with screwdriver, after removing case cover
(3) Control / limit setting ranges	
016	-10 to +40 °C
021	0 to +50 °C

Order code	(1)	(2)	(3)
604041	/	..	- ...

Order example
 604041 / 16 - 016 = Temperature monitor (TW),
 switching point adjustable with screwdriver, after removing case cover, -10 to +40 °C