

Delivery address: Mackenrodtstraße 14,
36039 Fulda, Germany
Postal address: 36035 Fulda, Germany
Phone: +49 (0) 661 60 03-0
Fax: +49 (0) 661 60 03-5 00
E-Mail: mail@jumo.net
Internet: www.jumo.de

JUMO House
Temple Bank, Riverway
Harlow, Essex CM20 2TT, UK
Phone: +44 (0) 12 79 63 55 33
Fax: +44 (0) 12 79 63 52 62
E-Mail: info@jumoinstruments.fsnet.co.uk

735 Fox Chase
Coatesville PA 19320, USA
Phone: 610-380-8002
1-800-554-JUMO
Fax: 610-380-8009
E-Mail: info@JumoUSA.com
Internet: www.JumoUSA.com



Pressure gauges in sheet steel case

NG 100, 160

Class 1.0; Protection IP 53

Pressure ranges -1 bar to +600 bar

General application

JUMO-manic pressure gauges are used for measuring pressures in liquid and gaseous media which are not highly viscous and do not crystallize out.

Functional description

The pressure in the medium to be measured acts directly on the Bourdon tube, the free end of which rotates the pointer by a mechanical linkage.



Technical data

Housing

Steel, painted black, with front flange or bayonet ring (only for types 410 and 411).

Window

3 mm flat instrument glass
for types 407, 408 and 409
or

4mm glass for types 410 and 411

Dial

white, black lettering to DIN 16109

Mechanism

Copper alloy

Measuring element

up to 40 bar

C-spring in CuSn8, soft-soldered
from 60 bar

coil spring in stainless steel,
Mat.Ref. 1.4571, brazed.

Pressure connection

1/2" pipe thread to DIN 16 288,
in copper alloy.

Indication accuracy

Class 1.0 to DIN 16 005

Loading

to DIN 16 005

with steady pressure

3/4 of full scale

with fluctuating pressure

2/3 of full scale

Premitted medium and ambient temperature

-20 to +50°C for ranges up to 40bar
-20 to +100°C for ranges from 60bar,
and for extra code /76

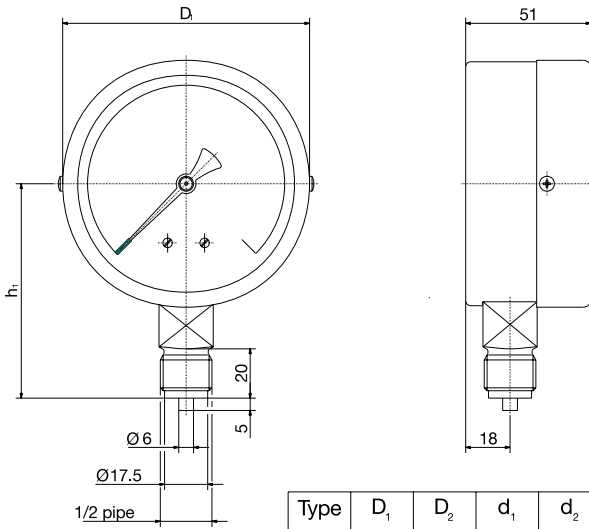
Scale range

- 1 to 0	bar
- 1 to 0.6	bar
- 1 to 1.5	bar
- 1 to 3	bar
- 1 to 5	bar
- 1 to 9	bar
- 1 to 15	bar

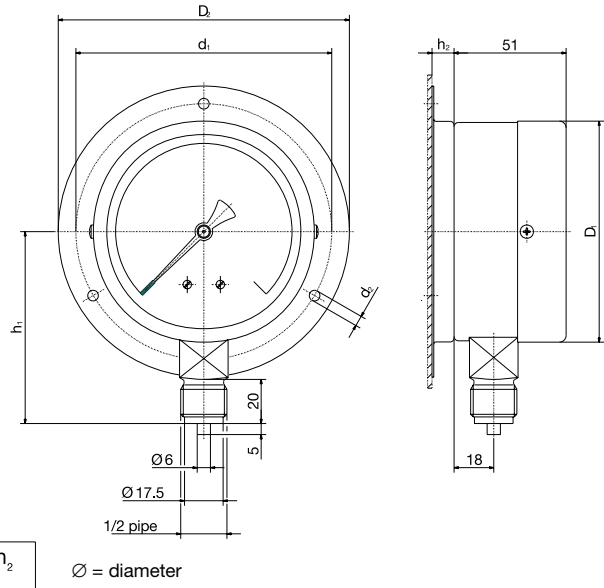
0 to 0.6	bar
0 to 1	bar
0 to 1.6	bar
0 to 2.5	bar
0 to 4	bar
0 to 6	bar
0 to 10	bar
0 to 16	bar
0 to 25	bar
0 to 40	bar
0 to 60	bar
0 to 100	bar
0 to 160	bar
0 to 250	bar
0 to 400	bar
0 to 600	bar

Dimensions

Type 407, 408



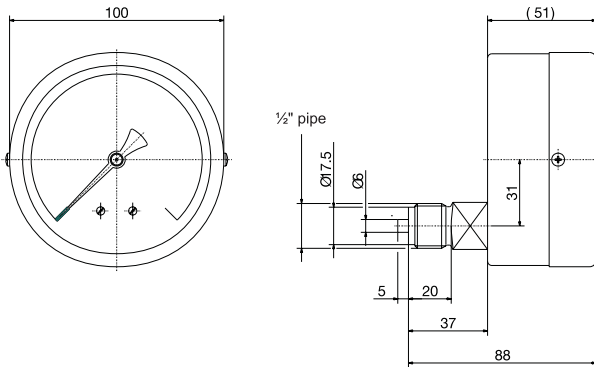
Type 407/61, 408/61



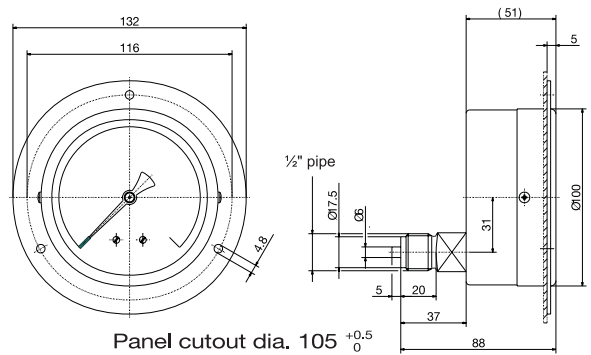
Type	D ₁	D ₂	d ₁	d ₂	h ₁	h ₂
407	100	132	116	4.8	87	10
408	160	196	178	5.8	118	6

Ø = diameter

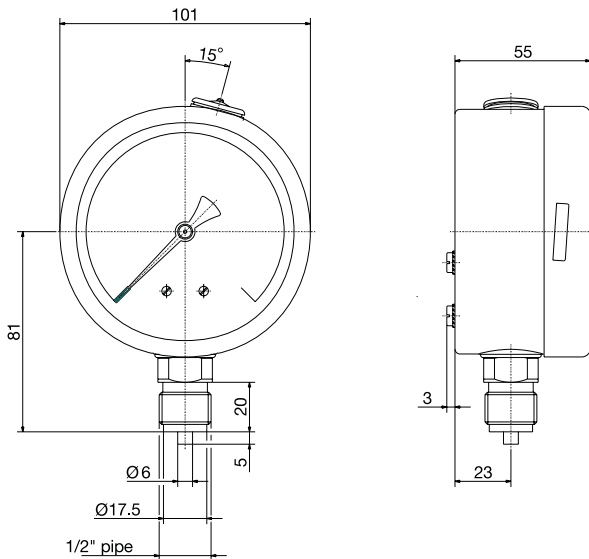
Type 409



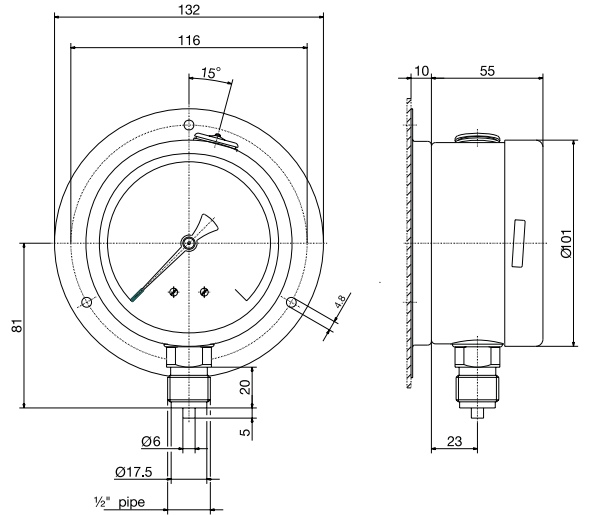
Type 409/07



Type 410/411



Type 410/61, 411/61



Ordering details

(1) Basic type

404010 Jumo-manic pressure gauge in steel case

(2) Pressure connection (∅ = diameter)

407 ∅ 100mm, concentric, bottom entry, 1/2" pipe thread

408 ∅ 160mm, concentric, bottom entry, 1/2" pipe thread

409 ∅ 100mm, eccentric, rear entry, 1/2" pipe thread

410 ∅ 100mm, concentric, bottom entry, 1/2" pipe thread,
bajonet ring housing (only with extra code /76)

411 as for type 410, but filled with glycerine,
(only with extra code /76)

(3) Extra codes¹

00 no extra code (standard)

01 restrictor in pressure connection

07 flange for front fixing (only with ∅ 100)

60 red mark on dial (define position when ordering)

61 rear fixing flange, black
(not with pressure connection 411)

76 parts in contact with medium in stainless steel, Mat.Ref. 1.4571
(only with pressure connection 407, 410 and 411)

(4) Measurement range²

-1 to 0 bar

-1 to 0.6 bar

-1 to 1.5 bar

-1 to 3 bar

-1 to 5 bar

-1 to 9 bar

-1 to 15 bar

0 to 0.6 bar

0 to 1 bar

0 to 1.6 bar

0 to 2.5 bar

0 to 4 bar

0 to 6 bar

0 to 10 bar

0 to 16 bar

0 to 25 bar

0 to 40 bar

0 to 60 bar

0 to 100 bar

0 to 160 bar

0 to 250 bar

0 to 400 bar

0 to 600 bar

	(1)	(2)	(3) ¹	(4) ²
Ordering code	404010	- ... /
Ordering example	404010	- 407 / 60		0 to 1.6 bar

¹ If more than one extra code is required, please write them one after another, separated by a stroke (/).

² Please specify the range in plain text.